

DETAIL A

DESIGN CRITERIA

STEEL

Structural steel shall conform to ASTM A-36
Machine bolts shall conform to ASTM A-307
Pipe columns shall conform to ASTM A-53 Grade B

WELDING

Welding shall be done by AWS D1.1 Structural certified welders.

SOIL CAPACITY

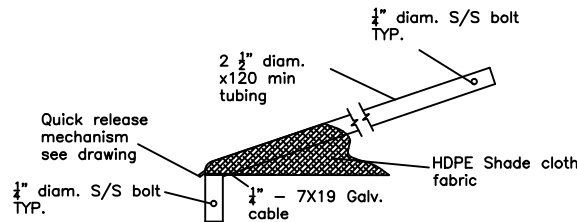
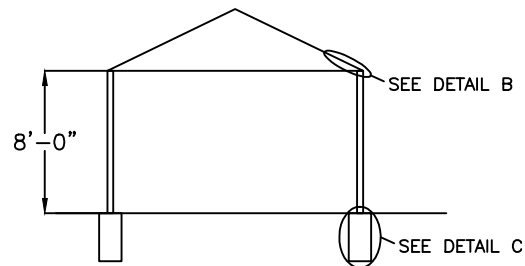
Allowable bearing pressure 1500psf
Allowable lateral bearing pressure 150psf

FOOTINGS

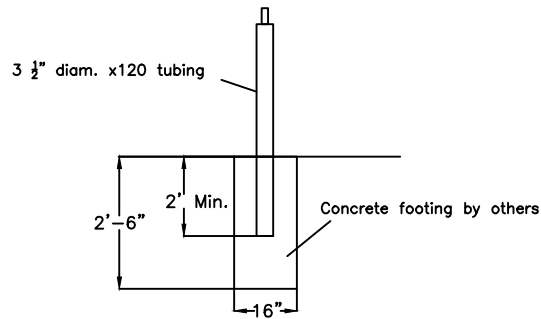
Square footing can be substituted for round with a min. width equal to diameter measurement.

CLEARANCE FROM OTHER STRUCTURES

Canopies shall be at least 6" away from any other structure which may be damaged due to deflection.



DETAIL B



DETAIL C

General Notes

No.	Revision/Issue	Date

Firm Name and Address
CUSTOM CANOPIES INC

Project Name and Address

Project	Sheet
Date	S1-1
Scale	NTS